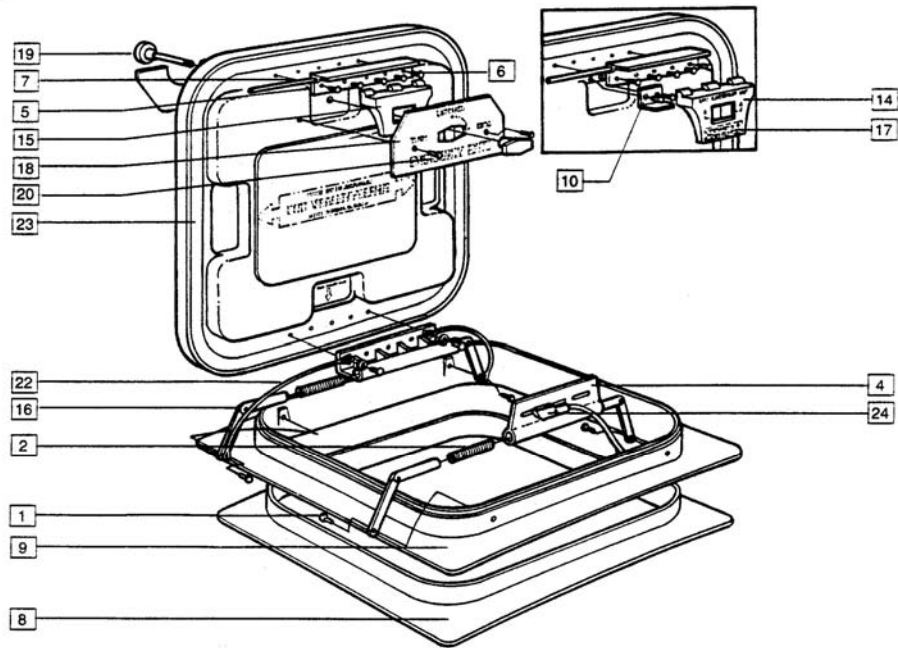


TRANSPEC MODEL 1000 SAFETY VENT®



01458595

- Vent assembly
- Complete
- Dual purpose

Kit includes the following parts:

ITEM NO.	PART NO.	DESCRIPTION
1	04282521	Shoulder Belt - plunger
2	04282513	Plunger Spring
4	04280863	Release Hinge
5	04288312	Handle Base
6	04296703	Special Screw
7	04288304	Hinge Pin
8	04317939	#28 Trim Molding
9	04317814	#28 Mounting Frame
10	04291092	Safety Latch
14	04288320	Handle Assembly
15	04317947	Release Handle Assembly (OSR)
16	04282539	Link and Plunger Assembly
17	04293023	Instructional Decal Kit (OSR)
18	04317921	Instruction Decal Kit (OSR-E/F)
19	04295812	Outside Release Assembly
20	04308946	Release Handle Shield Assembly
22	04317913	Retention Cable Assembly (MTG Frame)
23	04291084	Extruded Gasket Kit - Seal
24	04283859	Released Hinge w/Alarm Switch

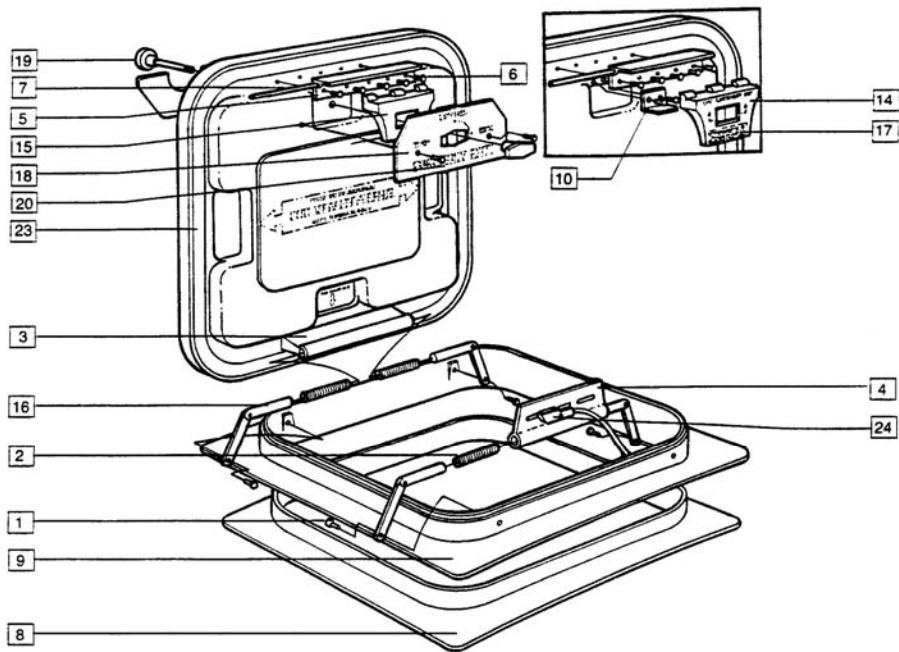
REPLACEMENT LID ASSEMBLIES*

	04299277	DPSV – Standard
	04293874	DPSC-W/OSR and Arm - Lid

* Lid with fixed hinge, release, handle, gasket and decals.

TRANSPEC MODEL 1100 SAFETY VENT®

ROOF



01458603

- Vent assembly
- Complete
- Dual purpose
- Triple value

Kit includes the following parts:

ITEM NO.	PART NO.	DESCRIPTION
1	04282521	Shoulder Belt
2	04282513	Plunger Spring
3	04317905	Hinge Cover
4	04280863	Release Hinge
5	04288312	Handle Base
6	04296703	Special Screw
7	04288304	Hinge Pin
8	04317939	#28 Trim Molding
9	04317814	#28 Mounting Frame
10	04291092	Safety Latch
14	04288320	Handle Assembly
15	04317947	Release Handle Array (OSR)
16	04282539	Link and Plunger Assembly
17	04293023	Instructional Decal Kit (OSR)
18	04317921	Instruction Decal Kit (OSR-E/F)
19	04295812	Outside Release Assembly (Inside and Outside Handle) KNG Assy
20	04308946	Release Handle Shield Assembly
22	04317913	Retention Cable Assembly (MTG Frame)
23	04291084	Extruded Gasket Kit
24	04283859	Released Hinge w/Alarm Switch

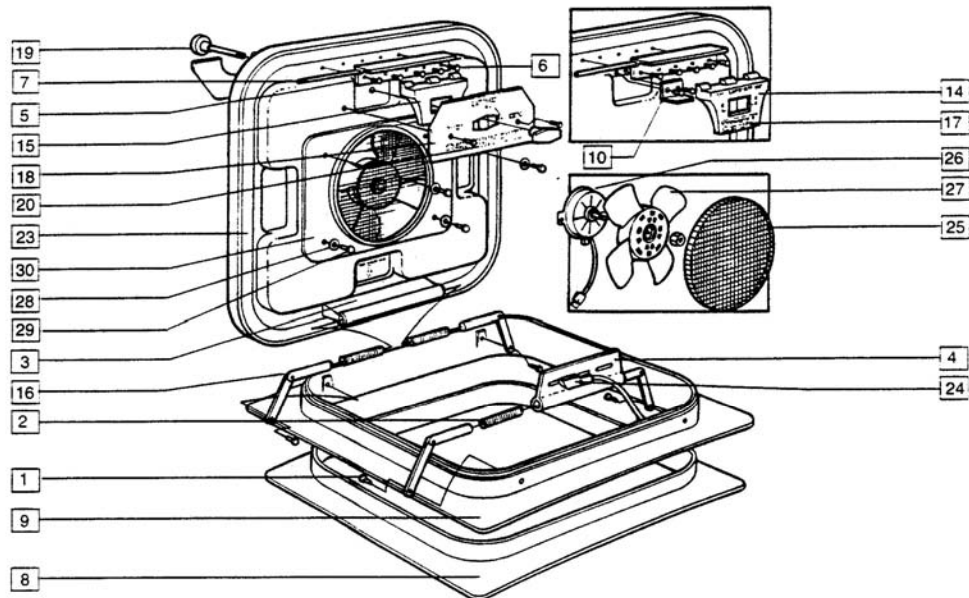
REPLACEMENT LID ASSEMBLIES*

	04303673	TVSV-W/OSR and Arm
* Lid with fixed hinge, release, handle, gasket and decals.		

14

HATCHES

TRANSPEC MODEL 1600 POWER SAFETY VENT®



01667302

- Vent assembly
- Complete
- Dual purpose

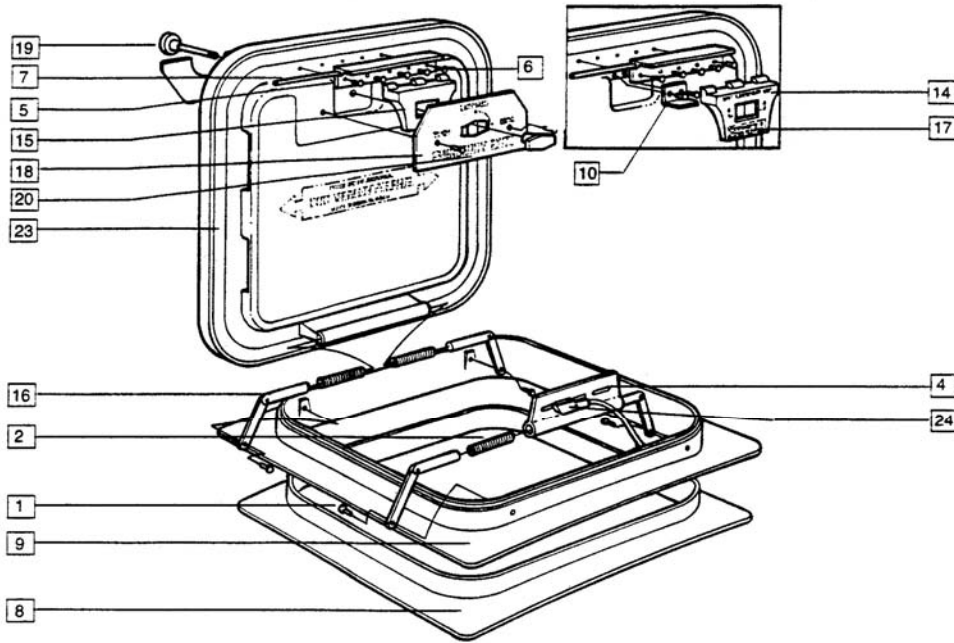
Kit includes the following parts:

ITEM NO.	PART NO.	DESCRIPTION
1	04282521	Shoulder Belt
2	04282513	Plunger Spring
3	04317905	Hinge Cover
4	04280863	Release Hinge
5	04288312	Handle Base
6	04296703	Special Screw
7	04288304	Hinge Pin
8	04317939	#28 Trim Molding
9	04317814	#28 Mounting Frame
10	04291092	Safety Latch
14	04288320	Handle Assembly
15	04317947	Release Handle Array (OSR)
16	04282539	Link and Plunger Assembly
17	04293023	Instructional Decal Kit (OSR)
18	04317921	Instruction Decal Kit (OSR-E/F)
19	04295812	Outside Release Assembly
20	04308946	Release Handle Shield Assembly
23	04291084	Extruded Gasket Kit
24	04283859	Released Hinge w/Alarm Switch
25	04317897	Power Vent Screen
26	04312831	Fan Motor
27	04317889	Fan Blade
28	04317871	Flange Washer
29	04317863	Oval Head Screw
30	04317855	Power Vent Trim

REPLACEMENT LID ASSEMBLIES*

	04317848	Power Vent w/OSR and Arm
* Lid with fixed hinge, release hinge, handle, gasket and decals.		

TRANSPEC MODEL 1900 ECONO VENT



01782754

- Vent assembly
- Complete
- Econo vent

Kit includes the following parts:

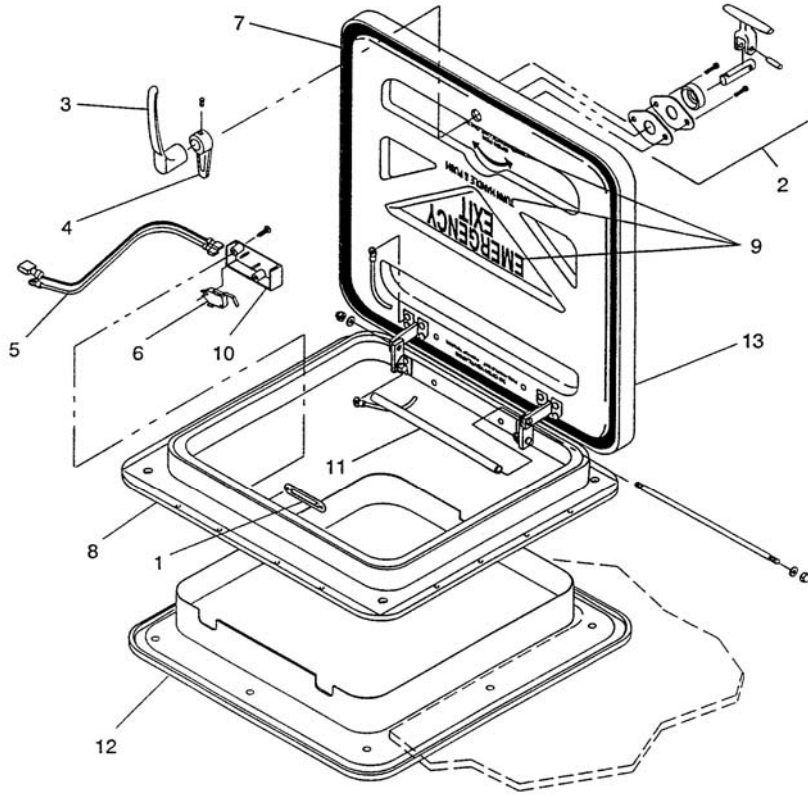
ITEM NO.	PART NO.	DESCRIPTION
1	04282521	Shoulder Belt
2	04282513	Plunger Spring
4	04280863	Release Hinge
5	04288312	Handle Base
6	04296703	Special Screw
7	04288304	Hinge Pin
8	04317939	#28 Trim Molding
9	04317814	#28 Mounting Frame
10	04291092	Safety Latch
14	04288320	Handle Assembly
15	04317947	Release Handle Array (OSR)
16	04282539	Link and Plunger Assembly
17	04293023	Instructional Decal Kit (OSR)
18	04317921	Instruction Decal Kit (OSR-E/F)
19	04295812	Outside Release Assembly
20	04308946	Release Handle Shield Assembly
23	04291084	Extruded Gasket Kit
24	04283859	Released Hinge w/Alarm Switch

REPLACEMENT LID ASSEMBLIES*

	04317806	EconoVent with OSR and Arm
	00083627	

* Lid with fixed hinge, release hinge, handle, gasket and decals.

SPECIALTY 8600 SERIES - 8645 SAFETYGUARD



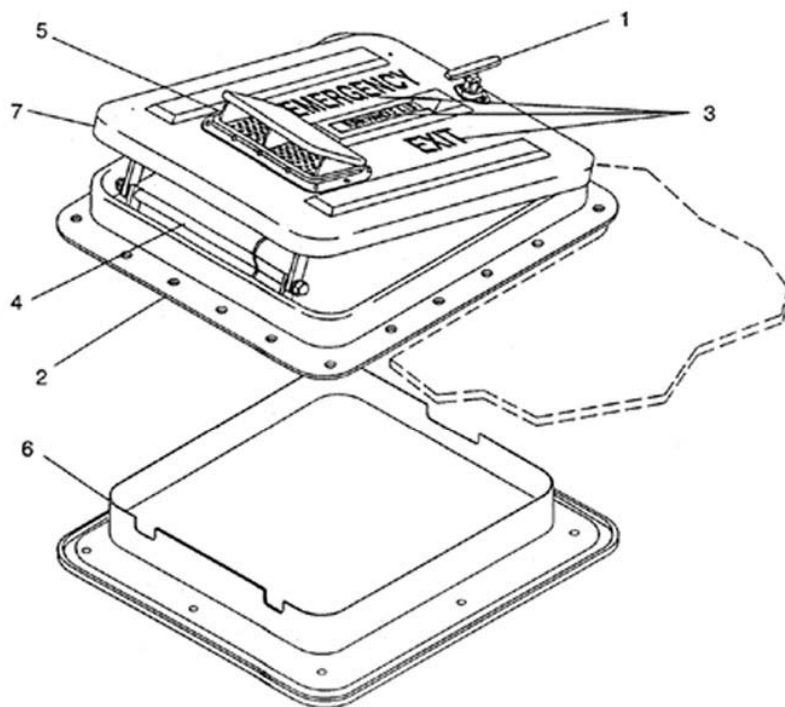
01873728

- Vent assembly
- Complete
- Slimline

Kit includes the following parts:

ITEM NO.	PART NO.	DESCRIPTION
1	04318507	Strike Insert
2	04318416	Assembly – Exterior Handle
3	04323903	Assembly – Interior Handle, includes Cam
4	04318549	Cam – for Handle
5	04318556	Cable, Alarm, 6"
6	04324141	Microswitch – Alarm 4324141
7	04321782	Rubber Gasket
8	04318564	Assembly – Mounting Frame
9	04318572	Decal Set – English
10	04318580	Cover – Microswitch
11	04318598	Assembly – Linkage, Pop-up
12	04320354	Assembly – Inside Trim Ring
13	04318614	Assembly – Top, 8645, Complete
	04318606	Decal Set - French/English
	04324141	Microswitch w/ Long Arm
	00040556	Handle only - 8810

SPECIALTY 8600 SERIES - 8640 SAFETYGUARD



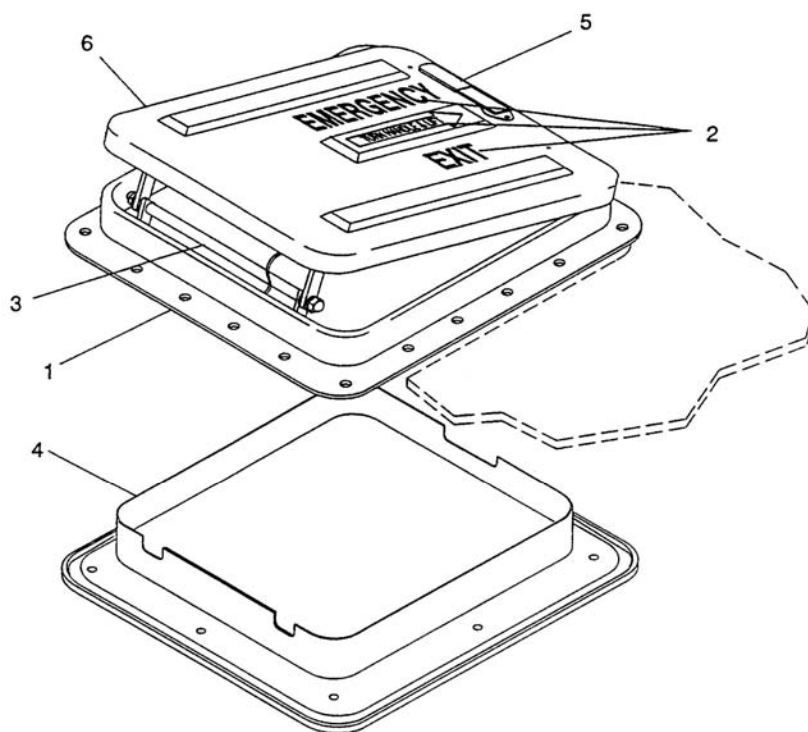
01835313

- Vent assembly
- Complete
- Pop-up

Kit includes the following parts:

ITEM NO.	PART NO.	DESCRIPTION
1	04282521	Shoulder Belt
	04318416	Assembly – Exterior Handle
	04323903	Assembly – Interior Handle
	04318549	Cam – for Handle
	04321063	Knob – Black Vent
	04324141	Microswitch – Alarm
	04321782	Rubber Gasket
2	04318564	Assembly – Mounting Frame
3	04318572	Decal Set – English
	04318580	Cover – Microswitch
4	04318598	Assembly – Linkage, Pop-up
5	04317954	Kit – 2 Way Screened Vent
6	04320354	Assembly – Inside Trim Ring
7	04318622	Assembly – Top, 8640, Complete
	04318606	Decal Set – French/English

SPECIALTY 8600 SERIES - 8650 SAFETYGUARD



01843671

- Vent assembly
- Complete
- Low profile

Kit includes the following parts:

ITEM NO.	PART NO.	DESCRIPTION
	04318507	Strike Insert
	04323903	Assembly – Interior Handle, includes Cam Metal Handle
	04318549	Cam – for Handle
	04318556	Cable, Alarm, 6"
	04324141	Microswitch – Alarm
	04321782	Rubber Gasket
	00040556	Plastic Handle, Inside
	01953066	Cap, Screw Cover, Gray
	01953074	Washer, Countersunk, Screw Cap
	02000495	Screw
	03775855	Washer
	03802105	Cover, Screwhead, Cream

ROOF HATCH ASSEMBLIES BY BLUE BIRD OPTION NUMBER

OPTION NO.	DESCRIPTION	QTY OF KITS	PART NO. (U.S.)	PART NO. (CANADIAN)
TRANSPEC				
3250-01	(1) Roof Vent/Hatch, 23 x 23, "Dual Purpose," with O.S. Handle and Alarm Switch	1 Gray	01458595 01980697	01500354 01980705
3250-02	(2) Roof Vent/Hatch, 23 x 23, "Dual Purpose," with O.S. Handle and Alarm Switch	2 Gray	01458595 01980697	01500354 01980705
3250-03	(1) Roof Vent/Hatch, 23 x 23, "Triple Value," with O.S. Handle and Alarm Switch	1 Gray	01458603 01980671	01500370 01964246
3250-04	(2) Roof Vent/Hatch, 23 x 23, "Triple Value," with O.S. Handle and Alarm Switch	2 Gray	01458603 01980671	01500370 01964246
3250-05	(1) Roof Vent/Hatch, Power Vent 23 x 23, "Triple Value," with O.S. Handle and Alarm Switch	1 Gray	01667302 01980689	01667310 01964253
3250-06	(2) Roof Vent/Hatch, Power Vent 23 x 23, "Triple Value," with O.S. Handle and Alarm Switch	2 Gray	01667302 01980689	01667310 01964253
3250-09	(1) Roof Vent/Hatch, 23 x 23, "Econo" Vent, with O.S. Handle and Alarm Switch	1	01782754	01782762
3250-10	(2) Roof Vent/Hatch, 23 x 23, "Econo" Vent, with O.S. Handle and Alarm Switch	2	01782754	01782762

SPECIALTY MANUFACTURING COMPANY				
3250-07	(1) Roof Vent/Hatch, "Slimline," with Vent, 23 x 23, with O.S. Handle and Alarm Switch	1	01873728	01873736
3250-08	(2) Roof Vent/Hatch, "Slimline," with Vent, 23 x 23, with O.S. Handle and Alarm Switch	2	01873728	01873736
3250-11	(1) Roof Vent/Hatch, Safetyguard, "Pop-up" Model 8640	1	01835313	01835305
3250-12	(2) Roof Vent/Hatch, Safetyguard, "Pop-up" Model 8640	2	01835313	01835305
3250-13	(1) Roof Vent/Hatch, Low Profile, Model 8650, 1 3/4" Height	1	01843671	01843689
3250-14	(2) Roof Vent/Hatch, Low Profile, Model 8650, 1 3/4" Height	2	01843671	01843689