

# STOP ARMS BY OPTION NUMBER AND DESCRIPTION

**SPECIALTY 00415**

290 - LED Light Kit

OPTIONS/ FEATURES	DESCRIPTION	VACUUM ASSY (MFG#)	AIR ASSY (MFG#)	ELEC. ASSY (MFG#)	BLADE ONLY	BLADE WITH LIGHTS	BLADE DECAL
3143 & 3148	NON REFL, PAINTED STOP ARM	02004711	00647370	01600659	04295788	02101228	02154870
3148	NON REFL, PAINTED STOP ARM, RR MNT	01600618	01600592	01600600	08301186	N/A	N/A
7179	NON REFL, PAINTED STOP ARM, MASS	00839738 (1403)	00839746 (2403)		04295788	02101228	02154870
3146	NON REFL, PAINTED STOP ARM, 8/STOP	00753129 (1408)	00753137 (2408)	01600691 (5408)	N/A	02103141	N/A
3165	NON REFL, PAINTED STOP ARM. W/ STROBE	01288448 (1460)	01288455 (2460)	01600667 (5460)	04295788	04284758	02154870
3164	NON REFL, PAINTED STOP ARM, W/ STROBE, 8/STOP	04300968 (1468)	01390624 (2468)	01600683 (5468)	N/A	04284683	N/A
3135, 3149 & 3178	STD REFLECTED, STOP ARM (GA)	00607234 (1500)	00607242 (2500-01)	01600709 (5500)	04295804	02115327	02154862
3149	STD REFLECTED, STOP ARM, RR MNT	01600642 (1501)	01600626 (2501)	01600634 (5501)	N/A	N/A	N/A
3162	STD REFLECTED, STOP ARM W/ STROBE	01459676 (1560)	01459684 (2560)	01600725 (5560)	04295804	N/A	02154862
3155	HIGH INTENSITY REFL, STOP ARM, NO LIGHTS	00663492 (1800)	00663500 (2800-01)	01600675 (5800)	04305785	N/A	N/A
3174-01 & 3176-01	HIGH INTENSITY REFL, STOP ARM (GA) also for 0317402	01965367 (1300)	01967876 (2300)	01967892 (5300)	04295796	02146140	04281457
3176-01	HIGH INTENSITY REFL, STOP ARM, RR MNT	01965375 (1301)	01967884 (2301)	01967900 (5301)	N/A	04314050	N/A
3163-01	HIGH INTENSITY REFL, STOP ARM, W/ STROBE -02 w/o Strobe	01459700 (1960)	01459718 (2960)	01600733 (5960)	04295796	04314183	04281457
3179 & 3166	STD REFL, ARRET ARM	01605351 (1504)	01605369 (2504)	01605377 (5504)	N/A	N/A	N/A

**TRANSPEC**

4001-001

30293-11, 30295-02	STOP ARM, HIGH INTENSITY, LED, W/WIND GUARD	N/A	N/A	01967991	N/A	N/A	08311946
30295-02	STOP ARM, HIGH INTENSITY, LED, W/WIND GUARD, REAR MOUNT	N/A	N/A	01967918	N/A	N/A	08311953

**MISCELLANEOUS**

**00061783**

- Kit, Stop Arm, Retro, LED

**04308854**

- Kit to change Stop Arm from Reg to Strobe

**02101483**

- Stop Arm Cable

**02145498**

- Bulb, Strobe w/ pigtail

**04320446**

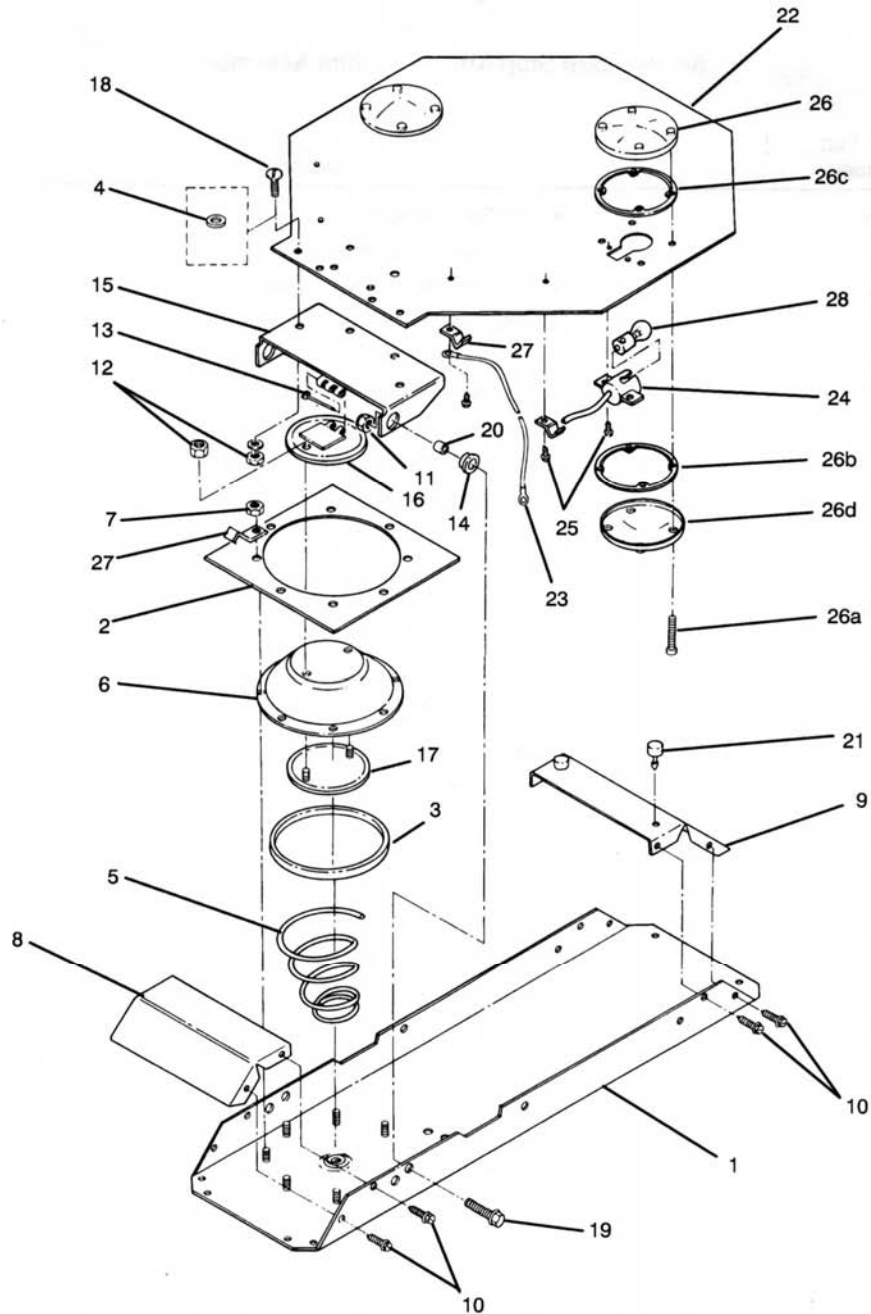
- Power Pack

12

S  
T  
O  
P  
  
A  
R  
M  
S

12

STOP  
ARMS



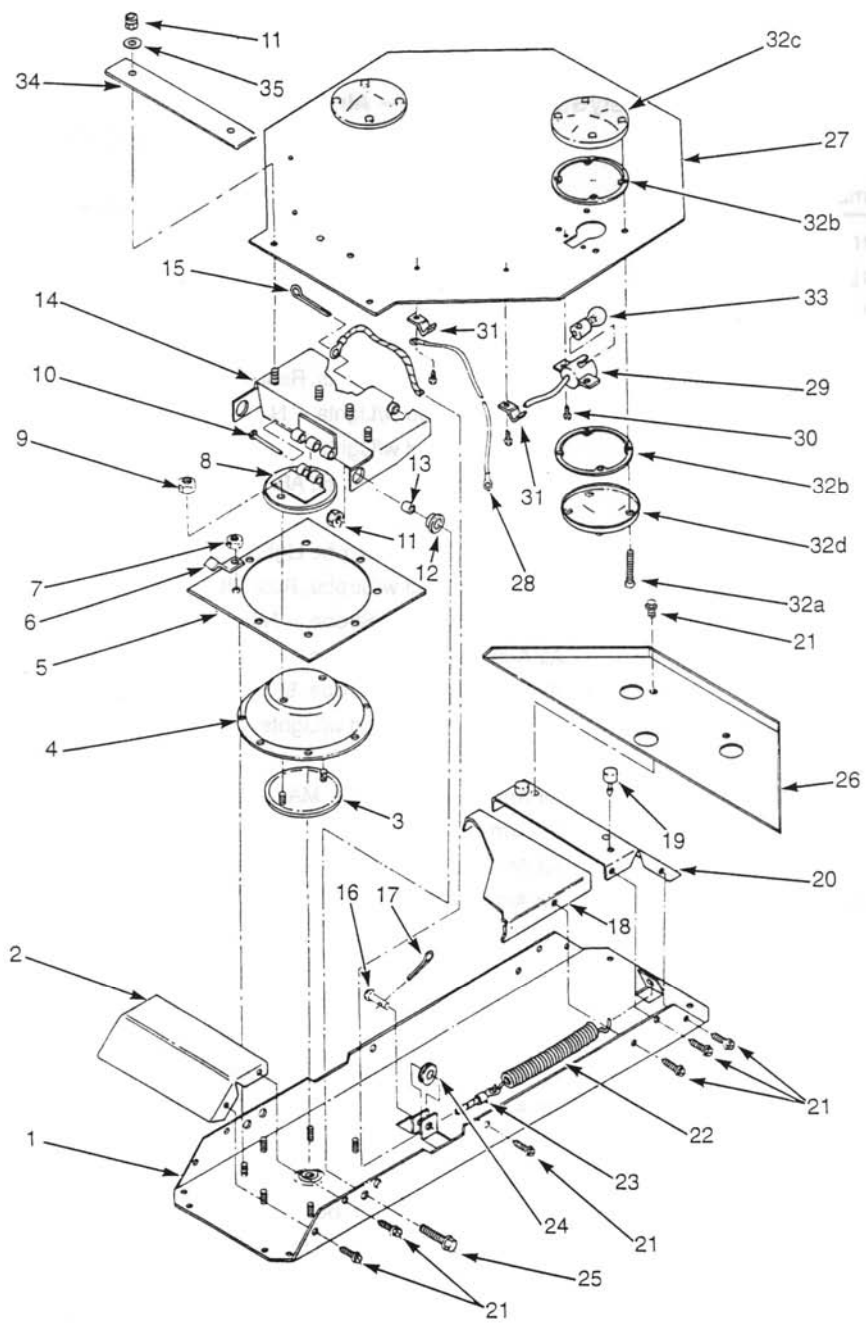
**02134385**  
• 3010 Relay

**SafetyGuard Stop Arm – Vacuum Assembly**

ITEM NO.	BLUE BIRD PART NO.	QTY	DESCRIPTION
	04282257		VACUUM BASE ASSEMBLY
1	02101012	1	Base with Studs
2	02132314	1	Diaphragm Retaining Ring
3	02101046	1	Diaphragm Ring
4	02143618 OR 02132215	4 4	Inside Lockwasher 1/4" Nylon Flat Washer 1/4"
5	02101053	1	Diaphragm Spring (Vacuum)
6	02101061	1	Diaphragm
7	(111)	8	Hex Nut #10-32
8	02101079	1	Front End Cover Plate
9	02101087	1	Rear End Cover
10	02143626	8	#10 x 1/2 SMS Serrated
11	04308763	2	1/4-20 Insert Locknut
12	02001329	6	1/4-20 Hex Nut
13	02101095	1	Hinge Pin
14	02101103	2	Outer Bearing
15	02101475	1	Hinge Bracket (Vacuum)
16	02102150	1	Outer Diaphragm Plate
17	02132298	1	Inner Diaphragm Plate
18	(173)	4	1/4-20 x 1/2" Screw
19	02132306	2	Bolt, 1/4-20 x 3/4" RHMS
20	02101111	2	Inner Bearing
21	02101129	2	Rubber Bumper

22			<b>BLADE ASSY: MAKE SELECTION FROM BLADE SECTION</b>
23	02101145	1	Ground Strap w/Lugs (Used only w/strobe)
24	02153559	2	Socket and Pigtail, Wiring Harness
25	(192)	8	Self-Trapping Screw, #7 x 1/4"
26	04278420	2	Red Lens Kit Assembly (Includes 26a, 26c, 26d)
26a	04278412	4	Hex Head Screw, #6-32 x 1 1/4"
26b	02104156	2	Lens Gasket
26c	N/A	1	Red Lens – Front
26d	N/A	1	Red Lens Cut-out (Rear)
27	02101137	6	Tube Clamp – Molded Plastic
28	04287926	2	Double Contact Bulb, 100 to a box, Double current GE 1156

# AIR STOP ARM ASSEMBLY

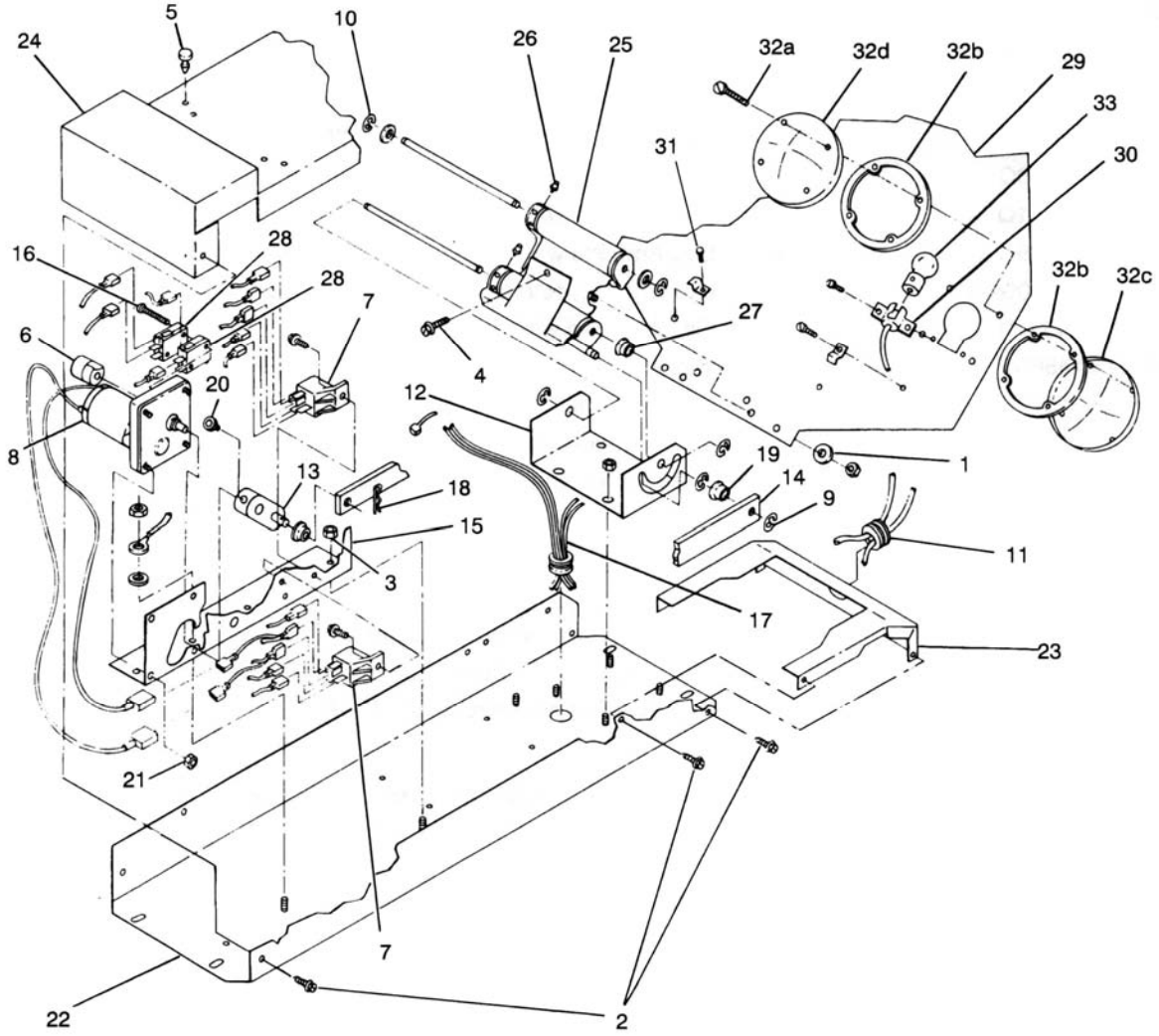


12

STOP ARMS

## AIR STOP ARM ASSEMBLY

ITEM NO.	BLUE BIRD PART NO.	QTY	DESCRIPTION
	04282240		AIR STOP ARM BASE ASSEMBLY
1	02101012	1	Painted Base with Studs
2	02101079	1	Front End Cover Plate
3	02132298	1	Inner Diaphragm Plate - Bracket holds rubber boot on it
4	02101061	1	Diaphragm - Air Bag
5	02132314	1	Diaphragm Retaining Ring
6	(136)	2	Jiffy Clamp
7	04308870	8	10-32 Hex Nut
8	02102150	1	Outer Diaphragm Plate
9	02001329	2	1/4 x 20 Hex Nut
10	02101095	1	Hinge Pin
11	04308763	6	Nylon Locknut
12	02101103	2	Outer Bearing - Bushing
13	02101111	2	Inner Bearing - Bushing
14	02102143	1	Hinge Bracket
15	(2145)	1	Cotter Pin, 1/8" x 2 1/2"
16	02101467	1	Clevis Pin, 1/4" x 3/4"
17	02132223	1	Cotter Pin, 1/16" x 1 1/2"
18	02148476	1	Air Pan
19	02101129	2	Rubber Bumper
20	02101087	1	Rear End-Cover
21	N/A	14	#10 x 1/2 SMC Serrated
22	02101509	1	Air Return Spring
23	02101483	1	Return Cable - holds x gate - stop sign cable
24	02101491	1	Nylon Pulley
25	02132306	2	Bolt, 1/4-20 x 3/4
26	08309502	1	Windguard
27		1	Blade Choice
28	02101145	1	Ground Strap (Strobe only)
29	02153559	1	Socket and Pigtail - light pigtail on top of stop sign
30	(192)	8	Self-Tapping Screw
31	02101137	4	Clamp-Molded - red plastic
32	04278420	2	Kit, Red Lens (Includes 32a, 32b, 32c, 32d) # 194k
32a	04278412	4	Hex Head Screw
32b	02104156	2	Lens Gasket
32c	N/A	2	Lens, Red Solid
32d	N/A	2	Lens, Red Cut-Out
33	04287926	2	Bulb, Double Contact - Light on stop sign
34	08309494	1	Tab-Blade Mount
35	02143618	4	Washer, Nylon Flat
	00810762		Air Control Valve, includes solenoid, air reg cuts air on/off
	02005908		Solenoid operates stop sign in dash - motor driven
	00603415		Vac assy, vac stop arm
	01098185		Solenoid and regulator - Reg # 2101442 (AU)



12

STOP  
ARMS

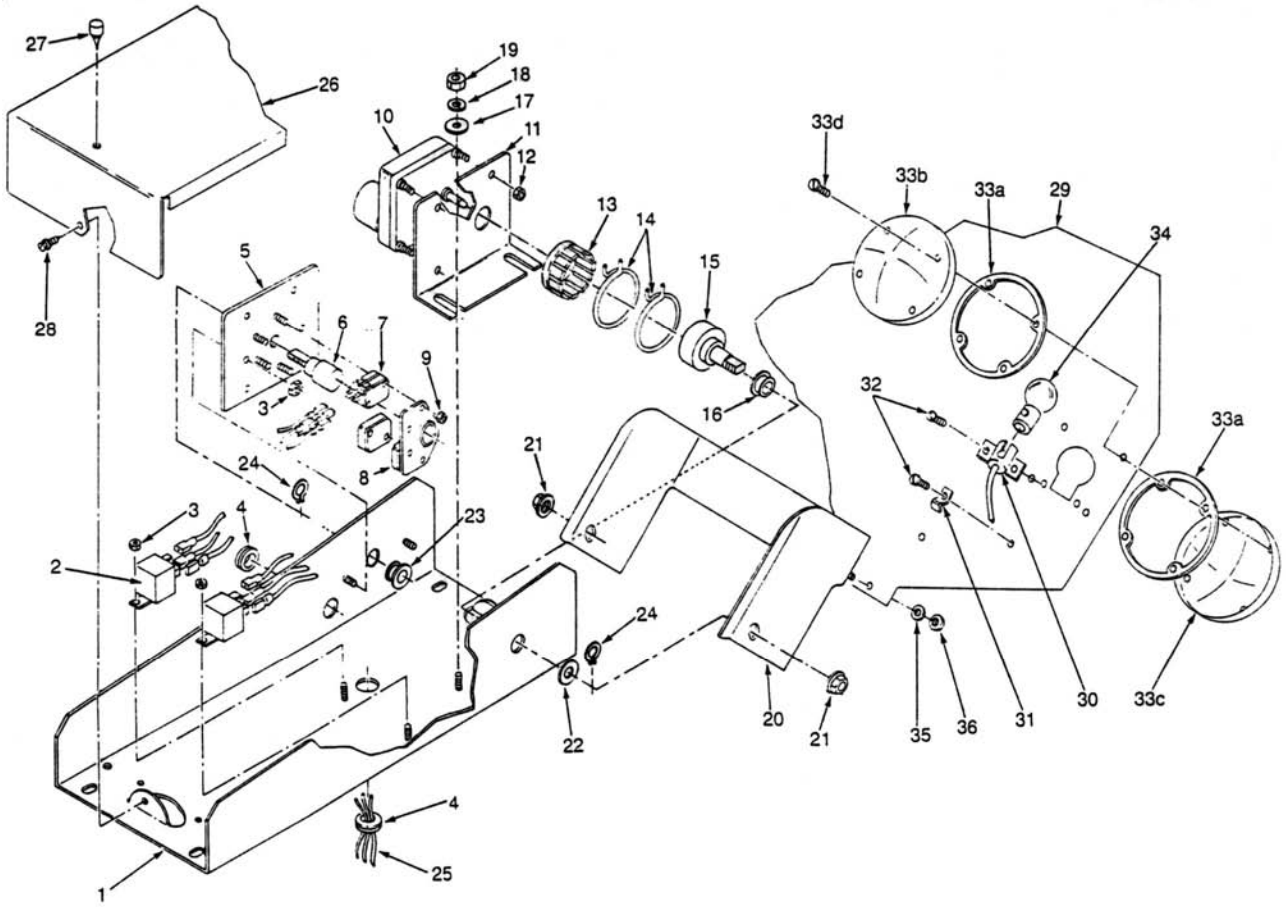


**SafetyGuard Stop Arm – 4000 Series Electric**

ITEM NO.	BLUE BIRD PART NO.	QTY	DESCRIPTION
	04296448		ELECTRIC BASE ASSEMBLY – QUICK RETURN
1	02143618	4	Inside Lockwasher 1/4"
2	02143626	13	#10 x 1/2" Type AB SMS Serrated
3	04308763	10	1/4-20 Nylon Insert Locknut
4	02132306	1	1/4-20 x 3/4" Hex Head Bolt
5	02101129	2	Rubber Bumper
6	04298162	1	Quick-Return Cam
7	01077718	2	Relay
8	04296356	1	Quick-Return Motor
9	08315129	2	Retaining Ring .243" x .500"
10	02143733	2	Retaining Ring .204" x .561"
11	02143774	2	Grommet
12	02143840	1	Hinge Bracket
13	02143857	1	Crank Arm
14	02143865	1	Connecting Bar
15	02143873	1	Motor Bracket
16	(4010)	2	#4 x 1" Type A Screw
17	04296364	1	Quick-Return Wiring Harness
18	02143907	1	Hairpin Clip
19	02143923	2	Brass Bushing, 5/16" x 3/8"
20	04278941	5	#10-32 x 3/8" Socket Cap
21	04308870	4	#10-32 Nylon Insert Locknut
22	02143931	1	Electric Base w/Studs
23	02143949	1	Electric Housing Front Cover
24	02143956	1	Electric Housing Rear Cover
25	02143972	1	Electric Hinge 5"
26	02147767	2	Tension Pin
27	04290136	2	Hinge Bracket Flange Bushing
28	04285649	2	Microswitch

29			<b>BLADE ASSY: MAKE SELECTION FROM BLADE SECTION</b>
30	02153559	2	Socket and Pigtail
31	(192)	8	#7 x 1/4" Type B Screw
32	04278420	2	Red Lens Kit Assembly (Includes 32a, 32b, 32c, 32d)
32a	04278412	8	#6-32 x 1 1/4" Hex Head Type F Screw
32b	02104156	2	Lens Gasket
32c	N/A	1	Red Lens-Front
32d	N/A	1	Red Lens Cut-Out
33	04287926	2	Double Contact Bulb

# 5-SERIES STOP ARM



12

STOP ARMS



## 5-Series Stop Arm Part Number Cross Reference

5110

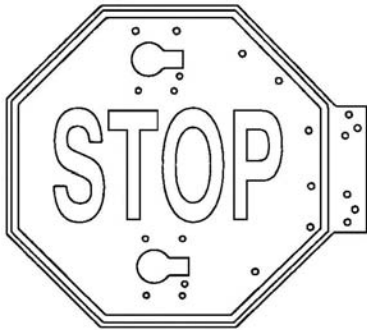
ITEM NO.	BLUE BIRD PART NO.	QTY	DESCRIPTION
	04309340		5-SERIES STOP ARM BASE ASSEMBLY Mounts on bumper
1	04308573	1	Base, Painted w/Studs
2	01077718	2	Relay
3	04308755	4	Insert Hex Nut, Nylon 8-32
4	02143774	2	Grommet
5	04308649	1	Microswitch Mounting Plate
6	04308599	1	Cam – Threaded
7	04285649	3	Microswitch
8	04308615	1	Cam Positioner Plate
9	04308748	4	#4-40 Nylon Hex Locknut
10	04308623	1	Motor
11	04308656	1	Motor Bracket
12	04308870	4	Hex Nut
13	04308664	1	Clutch, Plastic
14	04308581	2	Roto Clip
15	04308672	1	Slip Clutch, Aluminum - Cam not threaded snapping
16	08309551	1	Bushing, Nylon
17	(147)	2	Washer, Flat 1/4
18	08309544	2	Locknut
19	02001329	6	Insert Locknut
20	04308730	1	Hinge Bracket
21	04308714	2	Washer HD Whiz Nut
22	08309536	1	Washer, SS, 1" O.D.
23	04308896	1	Bushing, Nylon
24	08309528	2	Snap Ring
25	04308631	1	Wiring Harness
26	04308722	1	Cover
27	02101129	1	Rubber Bumper
28	02143626	2	#10 x 1/2" SMS Serrated
	08309502	1	Windguard (Not Shown)
29		1	Blade Choice (Contact Your Distributor)
30	02153559	1	Socket and Pigtail - Wiring harness
31	02101137	4	Tube Clamp – Molded
32	(192)	8	Screw, Self-Tapping
33	04278420	2	Lens Kit, Red (Includes 33a, 33b, 33c, 33d)
33a	02104156	4	Lens Gasket
33b	N/A	2	Lens, Red Solid
33c	N/A	2	Lens, Red Cut-Out
33d	04278412	8	Screw, Hex Head
34	04287926	2	Bulb, Double-Contact
35	02143618	4	Nylon Flat Washer
36	04308763	4	Nylon Locknut
	04322558		Plastic blade w/ yellow tip

12

S  
T  
O  
P  
  
A  
R  
M  
S

## SAFETYGUARD STOP ARM BLADE REPLACEMENT PARTS AND DECALS

### BLADES



#### 04295788

- Painted
- Steel

#### 02115327

- Reflectorized
- 500-1
- w/ lights
- SGA

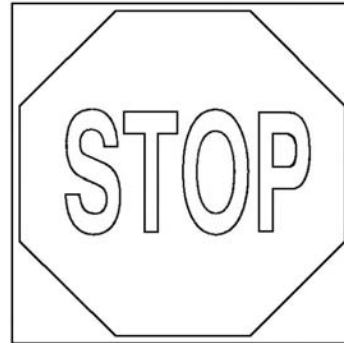
#### 04295796

- Hi-Intensity

#### 04278420

- Lens kit
- Stop Arm
- For 4308884 (1010)

### DECALS



#### 02154870

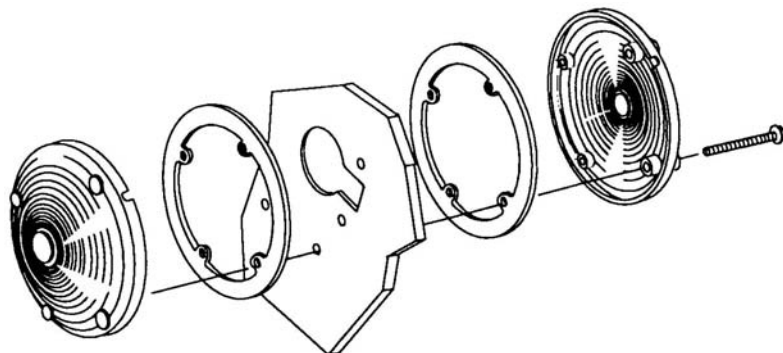
- Non-reflective

#### 02154862

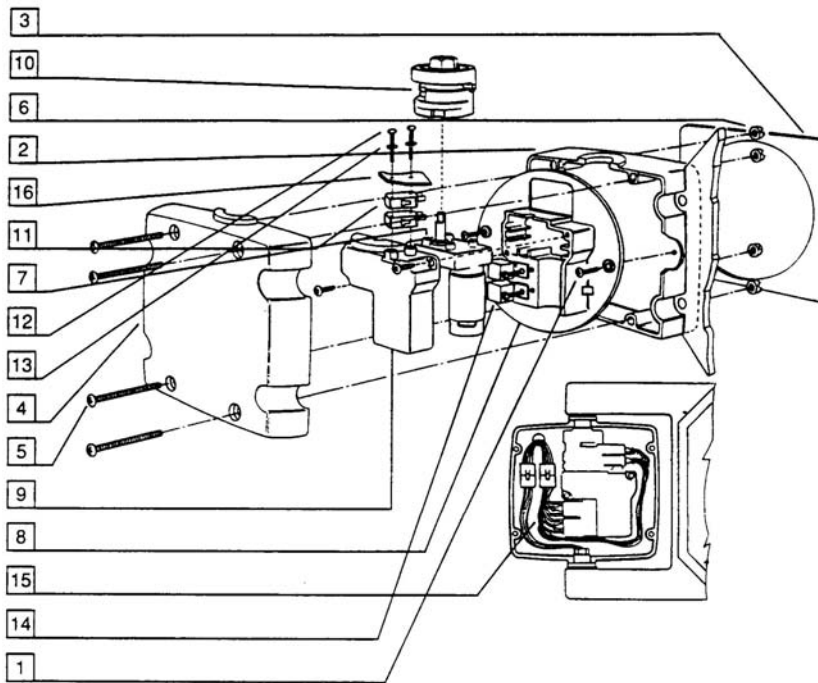
- Reflectorized
- Octagon
- SGA

#### 04281457

- Hi-Intensity
- Glow in the Dark



## TRANSPEC 6000/7000 DRIVE MECHANISM

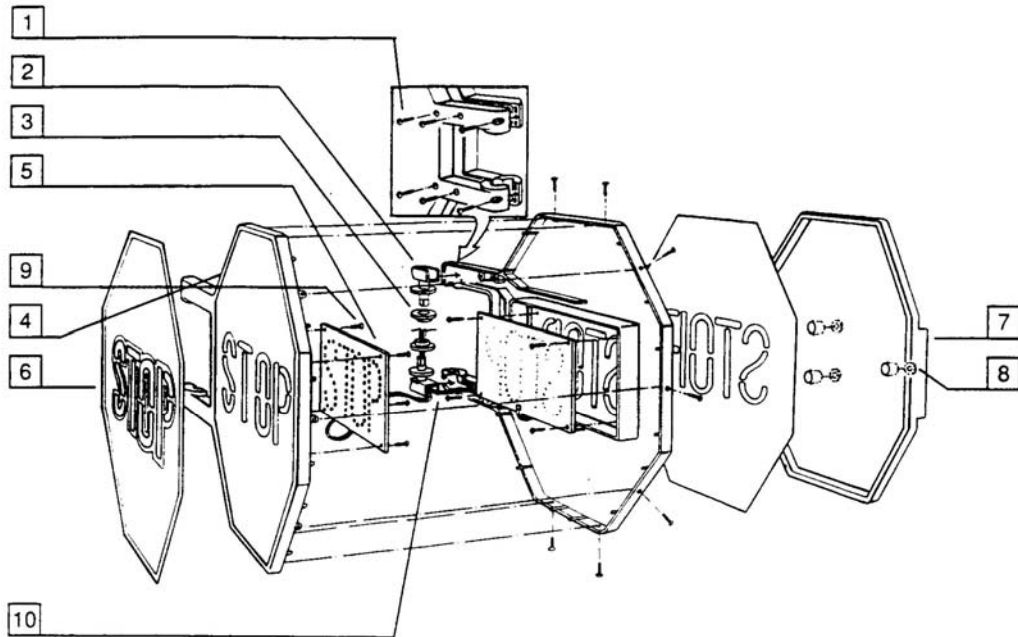


ITEM NO.	PART NO.	DESCRIPTION
1	04296703	Screws – Special
2	08311730	Base – Mechanism
3	08311748	Gasket – Mechanism Base
4	08311755	Cover – Mechanism
5	08311763	Screws – Motor Mechanism Cover
6	08311904	Lock Nut – Motor Mechanism Base
7	08310492	Motor – Drive
8	08311771	Cradle – Motor
9	08311789	Cradle Cover – Motor
10	08311813	Assembly – Clutch
11	08311821	Switch – Micro
12	08311839	Screw – Micro Switch
13	08311847	Washer – Lock
14	08311573	Relays – Electrical
15	08311854	Harness Assembly – Drive w/Relays
16	08311862	Cover Plate – Switches
17	08311870	Cradle Assembly – Motor (Not shown)

12

S  
T  
O  
P  
  
A  
R  
M  
S

## TRANSPEC 6000/7000 DRIVE MECHANISM



12

S  
T  
O  
P  
  
A  
R  
M  
S

ITEM NO.	PART NO.	DESCRIPTION
1	04296703	Screws – Special
2	08311888	Arm – Drive
3	08311896	Bushing – Bronze
4	08311912	Blade Assembly – “LED”
	08311920	Blade Assembly – “LED” Blank Front
5	08311938	Board – Circuit
6	08311946	Decal – “7000” Diamond Grade
	08311953	Decal – Red Blank (No Lettering)
7	08311961	Bezel – Trim
8	08311979	Gasket – Trim Bezel
9	08311987	Screws – Circuit Board
10	08311995	Harness Assembly – Light Wire

**00603415**

- Solenoid valve
- Stop/crossing arm
- Air/vac

**00810762**

- Solenoid/regulator assembly
- Stop/crossing arm
- Air

**02008464**

- Release
- Valve
- Vacuum
- Stop/crossing arm

**00522508**

- Valve
- Pressure protection
- Air
- Stop/crossing arm

**01984376**

- Regulator
- Air pressure
- Stop/crossing arm



# NOTES

---

---

---

---

---

---

---

---

---

---

---

---

---

---

---

---

---

---

---

---

---

---

---

---

---

---

12

S  
T  
O  
P  
  
A  
R  
M  
S