

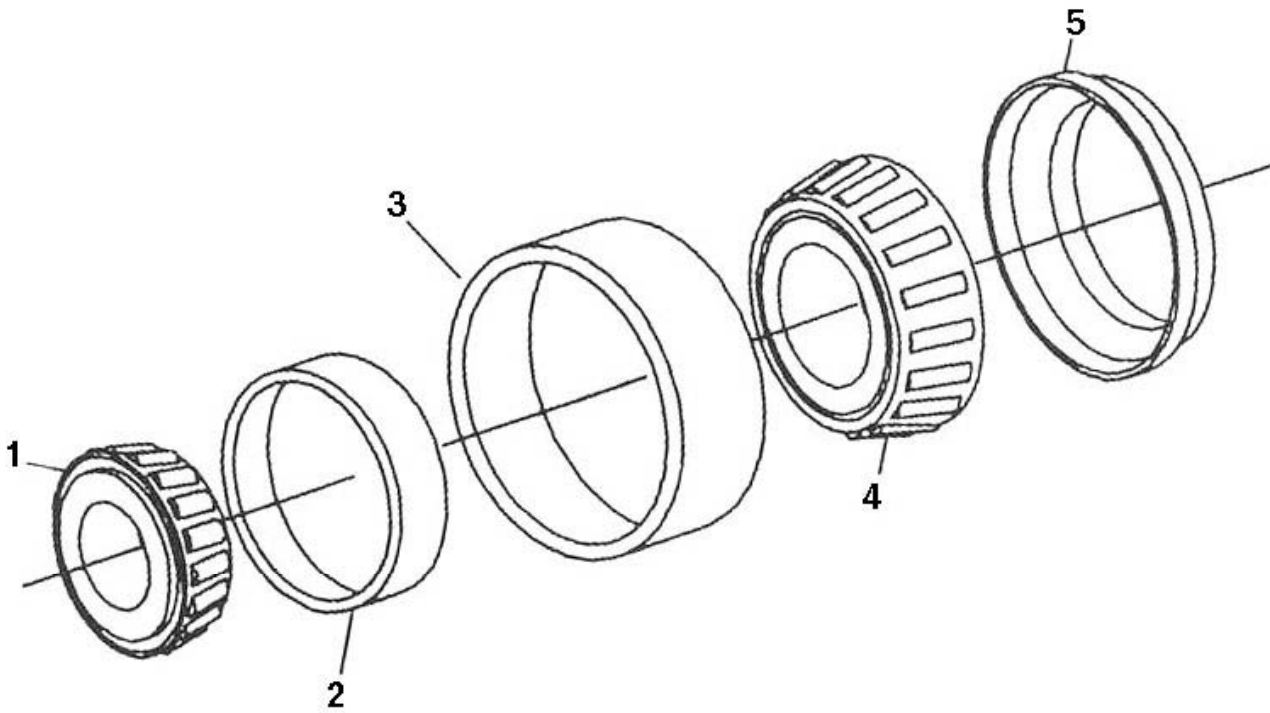
WHEEL BEARINGS AND SEALS BLUE BIRD CHASSIS

REAR AXLE				
		P/N	DESCRIPTION	APPLICATION
Spicer F170 ending with chassis service number 972479	1	02161768	Outer cone (bearing)	All
	2	02622728	Outer cup (race)	All
	3	02623221	Inner cup (race)	All
	4	04278040	Inner cone (bearing)	All
	5	01534569	Inner seal	Spoke wheels
		04283347	Inner seal	Disc wheels

FRONT AXLE				
		P/N	DESCRIPTION	APPLICATION
Spicer I 100 I 108 I 120 I 146	1	00929414	Outer cone (bearing)	All except I 108
		02160968	Inner cup (race)	All except I 108
	2	02600179	Inner cone (bearing)	I 108
		04277927	Inner seal	All
	3	02593093	Inner seal	All
	4	00929406	Inner cone (bearing)	All
Rockwell FF932 FF942	5	01391572	Inner seal	All except I 100 and I 108
		08303893	Inner seal	I 100
		02161008	Inner seal	I 108

REAR AXLE				
		P/N	DESCRIPTION	APPLICATION
Spicer J230	1	00929059	Outer cone (bearing)	All
	2	02621571	Outer cup (race)	All
Rockwell R155, R125, RS23-240	3	02621779	Inner cup (race)	All
	4	00929042	Inner cone (bearing)	All
	5	00929067	Inner seal	All

REAR AXLE				
		P/N	DESCRIPTION	APPLICATION
F170 (beginning with CSN 972480) J190 J210 S150	1	02622926	Outer cone (bearing)	All
	2	02622728	Outer cup (race)	All
	3	02623221	Inner cup (race)	All
	4	02623320	Inner cone (bearing)	All
	5	01534569	Inner seal	All



CROSS REF NUMBER	BLUE BIRD P/N	DESCRIPTION
572	02621571	Bearing race (cup)
580	00929059	Bearing cone
592A	02621779	Bearing race (cup)
594A	00929042	Bearing cone
3720	02600179	Bearing race (cup)
3782	00929414	Bearing cone
28622	04277927	Bearing race (cup)
28682	02160968	Bearing cone
35066	01391572	Wheel seal
38779	04283347	Wheel seal
38780	01534569	Wheel seal
39520	02622728	Bearing race (cup)
39585	02161768	Bearing cone
39590	02622926	Bearing cone
44919	02161008	Wheel seal
47620	02623221	Bearing race (cup)
47678	04278040	Bearing cone
47686	02623320	Bearing cone
47697-S	00929067	Wheel seal
HM212011	02593093	Bearing race (cup)
HM212049	00929406	Bearing cone
W03HH101	08303893	Wheel seal

BLUE BIRD P/N	NTN/TIMKEN P/N	DESCRIPTION
00929042	594A	Bearing cone
00929059	580	Bearing cone
00929406	HM12049	Bearing cone
00929414	3782	Bearing cone
02160968	28682	Bearing cone
02161768	39585	Bearing cone
02622926	39590	Bearing cone
02623320	47686	Bearing cone
04278040	47678	Bearing cone
02593093	HM212011	Cup, bearing
02600179	3720	Cup, bearing
02621571	572	Cup, bearing
02623221	47620	Cup, bearing
04277927	28622	Cup, bearing
02622728	39520	Cup, bearing
02621779	592A	Cup, bearing



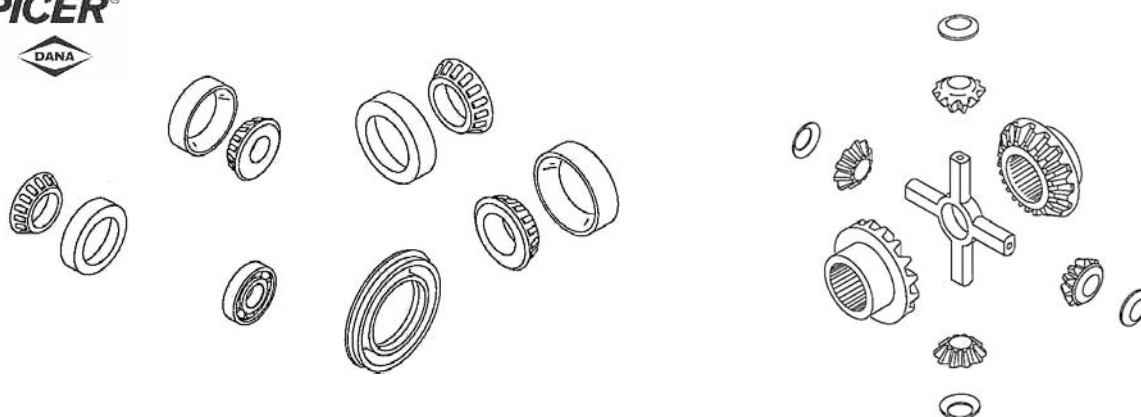
FRONT AXLE KING PIN OVERHAUL KITS



APPLICATION/FRONT AXLE CODE/RATING	VENDOR P/N	NAVISTAR P/N	BLUE BIRD P/N
AmTran "Genesis"/02ADD/12K lbs.	120KK100	FAK5455	08305203
Amtran "Genesis"/02ADE/12-14K lbs.	140KK100	FAK5456	08305211
AmTran "RE"/12-14K lbs.	120KK100	FAK5455	08305203
Blue Bird "All American"/FF932	Kit 195	N/A	02599033
Blue Bird "All American"/FF942/NX5-35	Kit 1307	N/A	02137305
Blue Bird "All American"/FF942/NX602 and 604	Kit 1315	FAK4570	04280855
Blue Bird "All American"/FG941 or FG943	Kit 1309	FAK4566	04279568
Blue Bird "All American"/I-146/140BN101 or 103	120KK102	N/A	04294716
Blue Bird "All American"/I-146/140BN or 109 ('96 and up)	140KK100	FAK5456	08305211
Blue Bird "TC2000"/I-108	343KK103	FAK5453	04293270
Blue Bird "TC2000"/I-120 (120BN101)	120KK102	N/A	04294716
Blue Bird "TC2000"/I-120 (120BN109)	120KK102	N/A	08305203
Blue Bird "TC2000"/I-100 (100BN204 or 205)	120KK102	N/A	04294716
Blue Bird "TC1000"/I-100 (100BN207 or 028)	120KK100	FAK5455	08305203
International 3400/Standard/6/8K	101KK111	FAK5454	08314171
International 3600/Standard/6/8K	101KK111	FAK5454	08314171
International 3800/Standard/6/8K	101KK111	FAK5454	08314171
International 3800/Opt 02ADC, 02ADL/02ADD/10K	120KK100	FAK5455	08305203
Mid Bus "SC"/Standard/6/8K	101KK111	FAK5454	08314171
Thomas "Vista"/Standard/6/8K	101KK111	FAK5454	08314171
Thomas "Vista"/Opt. 02ADC-02ADL/10K	120KK100	FAK5455	08305203
Thomas "Saf-T-Liner" and "MVP"/FF932	Kit 1315	FAK4570	04280855
Thomas "Saf-T-Liner" and "MVP"/FF943	Kit 1309	FAK4566	04279568
U.S. Bus "Eagle"/Standard/6/8K	101KK111	FAK5454	08314171

DRIVE AXLE REPAIR KITS

SPICER®



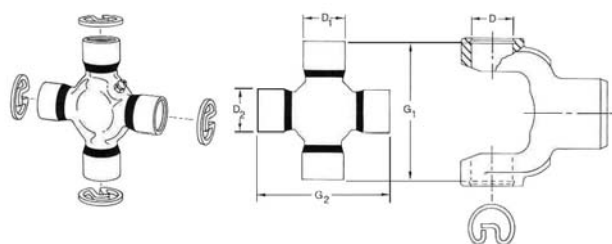
DIFFERENTIAL PARTS KITS

SPICER AXLE MODEL NO.	NAVISTAR AXLE MODEL NO.	SPICER P/N	NAVISTAR P/N	BLUE BIRD P/N
F155S F170S	14ADA 14029 14039	472KS106X	1651274C91	02161750
J220S J230S	14047	472KS109X	1651277C91	04301123
W230S	14057	472KS110X	1651278C91	08200230
S135 S150	14ADN 14ADP	360KS101X	1697142C91	08303414
J190S J210S	14ADG	472KS108X	1651276C91	04281259

DIFFERENTIAL BEARING AND SEAL KITS

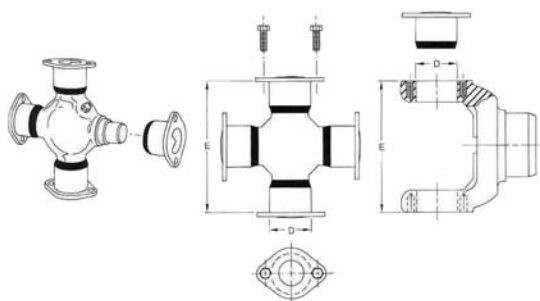
SPICER AXLE MODEL NO.	NAVISTAR AXLE MODEL NO.	SPICER P/N	NAVISTAR P/N	BLUE BIRD P/N
F155S F170S	144DA 144DJ 14039	341KS101	1651512C91	04290771
S135 S150	14ADN 14ADP	360KS100X	1697163C91	08303398
J175 J190 J210 J220 J230	14042 14044/14ADG 14036 14047	472KS101	1651517C91	04290789

UNIVERSAL JOINTS



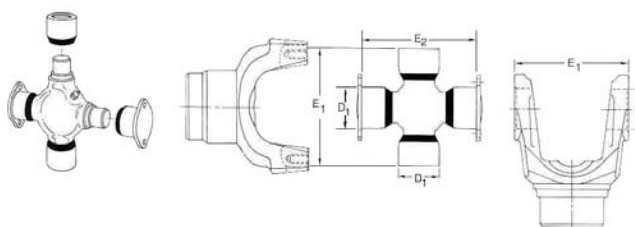
Outside Snap Ring (OSR) Style

A Distance Between Caps	B Bearing Cap Diameter	Driveline Series	Spicer P/N	Blue Bird P/N
4.188	1.375	1480	5-188X	02020287
4.964	1.375	1550	5-153X	02020428



Bearing Plate (BP) Style

A Distance Between Caps	B Bearing Cap Diameter	Driveline Series	Spicer P/N	Blue Bird P/N
5.312	1.875	1610	5-279X	01062926
6.094	1.938	1710	5-280X	01121565
7.547	1.938	1810	5-281X	01160803



Half Round (HR) Style

A Distance Between Caps	B Bearing Cap Diameter	Driveline Series	Spicer P/N	Blue Bird P/N
5.312	1.875	1610	5-674X	01564194
6.094	1.938	1710	5-515x	04307666

CHASSIS

19

BLOCK HEATERS

ENGINE BLADE IMMERSION HEATERS

ENGINE MANUFACTURER MODELS (DIESEL)	WATTS	P/N 120 VOLTS	P/N 240 VOLTS	NOTES
CATERPILLAR				
3114/3116/3126	1500	FP151-001	FP152-001	1
3208 (recommended installation)	1500	JD3/4-151IN	JD3/4-152IN	
CHEVROLET/GMC				
6.2L/6.5L V-8s	600	FC601-PY2	N/A	2
CUMMINS				
6BT - 5.9L prior to 1998 engines	750	CUB-751FP	CUB-752FP	1
	1000	CUB-101FP	CUB-102FP	1
	1500	CUB-151FP	CUB-152FP	1
6BT - 5.9L 1998 and later engines	750	TF7510002	N/A	1-5
	1000	CUB-101FP	CUB-102FP	1-6
	1500	CUB-151FP	CUB-152FP	1-6
6CT - 8.3L prior to 1998 engines	1500	CUC-151FP	CUC-151FP	1
6CT - 8.3L 1998 and later engines	1000	DD8L-101	DD8L-102	5
DETROIT DIESEL				
8.2L V8s	1000	DD8L-101	DD8L-102	
FORD				
6.6L - 7.8L (1986 to 1989)	1000	FC101-PY1	N/A	2
6.6L - 7.8L (1990 to 1992)		N/A	N/A	3
1060 (See Cummins 6BT)				
1460 (See Cummins 6CT)				
6.9L - 7.3L through 1994	600	FC601-501	N/A	2
	1000	FC101-PY1	N/A	2
7.3L 1995 and later	1000	DD8L-101	DD8L-102	
JOHN DEERE				
6 cylinder diesels or Natural Gas	1000	JDS-101	JDS-102	
NAVISTAR/INTERNATIONAL				
All 6 cylinder diesel	1250	INTA-121	INTA-122	
6.9L - 7.3L through 1994	1000	FC101-PY1	N/A	2
7.3L and 444 1995 and later	1000	DD8L-101	DD8L-102	
9.0L V8s	1000	INT9-101F	INT9-102F	

ENGINE BLADE IMMERSION HEATERS, CONT'D

REPLACEMENT PARTS AND ACCESSORIES	WATTS	P/N 120 VOLTS	P/N 240 VOLTS	NOTES
6-FOOT CORDS				
Standard cord		IM6-1IN	IM6-2IN	
For recessed plug		11PR72T	21PR72T	4

FLIP COVERS AND PLUG HOUSINGS				
Flip cover (black)		FC-KH	FC-KH	
Plug housing (receptacle)		A2223-PH	A2223-PH	

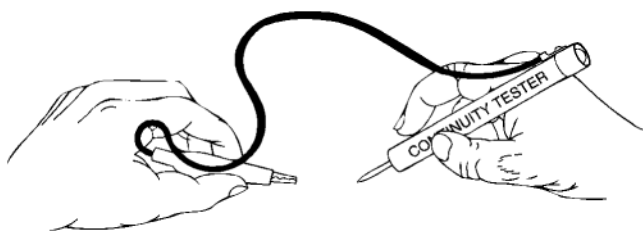
THERMOSTAT CONTROL CORDS				
ON at 80, OFF at 100		A2822-0M	A2822-0P	
ON at 100, OFF at 120		A2822-0B	A2822-0H	

HEAT SHIELD				
Use when manifold or turbo heat comes close to cord		HS1	HS1	

NOTES:

1. Use heat shield HS1 on these applications.
2. Replacement cord is not available.
3. Use a tank-style heater—i.e., TPS101t10-000 for these applications.
4. Must use the flip cover and plug receptacle with this cord design.
5. Installs in a threaded port in the oil cooler housing.
6. Installs in the second from the front freeze plug opening on right side of the block.

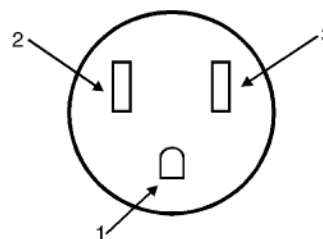
if you can use one of these...



you'll find the heaters that need replacing before the weather turns cold.

To check any engine pre-heater without having to plug the unit in, use a continuity tester in accordance with the accompanying diagram.

Using the power blades and the ground post, check ALL 3 terminals to determine if the pre-heater is working.



Terminal to Terminal	If the Light Lights	If the Light Stay Out
1 to 2	Bad	Good
1 to 3	Bad	Good
2 to 3	Good	Bad

REMANUFACTURED DIESEL ENGINES

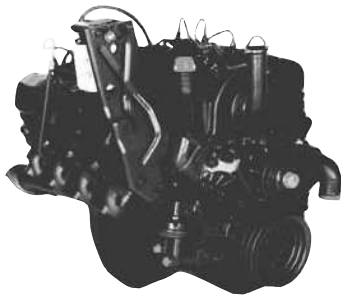
NAVISTAR®



formerly



NAVISTAR ENGINE	SHORT BLOCK	LONG BLOCK	COMPLETE DROP-IN
IDI 6.9L Nat. Asp.	X	X	X
IDI 7.3L Nat. Asp.	X	X	X
IDI 7.3L Turbo	X	X	X
IDI 6.9L/7.3L Turbo Upgrade		X	X
DI 7.3L Turbo Navistar	X		X
DI 7.3L Turbo T444E	X		X



6.9L/7.3L Naturally Aspirated (Non-turbo)



7.3L IDI Complete Drop-In



7.3L DI Turbo Navistar/T444E



Reviva's 6.9L/7.3L diesel engines are configured for delivery vans, pickup trucks, ambulances, utility trucks, airport shuttle buses and international school buses.

Reviva offers the HEUI injection system for the Navistar engine line. Every HEUI injector is dyno tested to ensure reliability and quality.



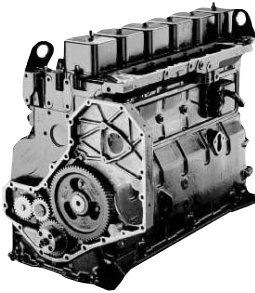
CUMMINS®

REVIVA

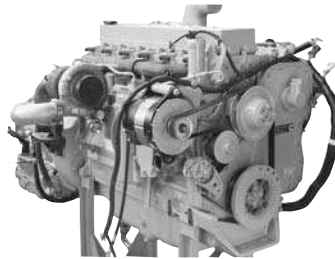
formerly

**DEALERS
DIESEL**

The Cummins 6B/5.9L engine is a solid, high-torque, six-cylinder engine used in many commercial/industrial, light-duty truck, recreational and marine applications. All of Reviva's B and C Series engines are re-engineered and durability-tested.



**6B Long Block
Supreme**



6B Complete Drop-In



**6C/8.3L Complete
Drop-In**

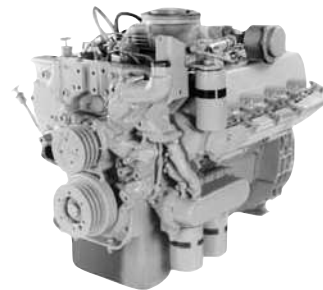
CATERPILLAR®

REVIVA

formerly

**DEALERS
DIESEL**

CAT 3208 engines are used in many work applications such as delivery trucks, dump trucks, garbage trucks, snow plows, flatbed trucks and school buses. Reviva will custom configure any CAT 3208 engine.



**CAT 3208 Complete
Drop-In**

NAVISTAR®

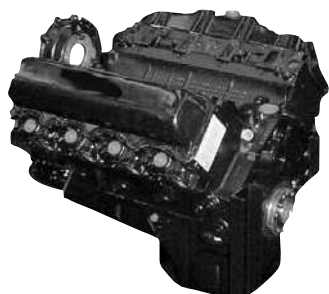
REVIVA

formerly

DEALERS DIESEL®



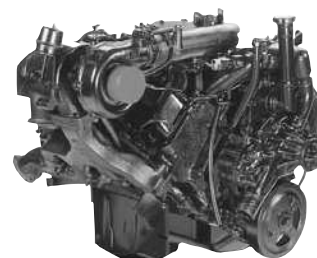
Reviva's 6.5L turbocharged and naturally aspirated diesel engines are configured for most GM C/K and commercial vehicles manufactured between 1982 and 1999.



Long Block Supreme



**Complete Drop-In
Naturally Aspirated
(Available with
Mechanical Injection
Pump)**



**Complete Drop-In
Turbocharged
(Available with
Mechanical or
Electronic Injection
Pump)**



**Reviva's Splayed
Main Cap**

Reviva's engineers developed a proprietary solution to the main web cracking problem associated with some GM 6.5L engines.



OEM Main Cap

BLUE BIRD REMAN AND NEW ALTERNATORS



BLUE BIRD REMAN NUMBER	BLUE BIRD NEW NUMBER	LEECE-NEVILLE SERVICE NUMBER	DESCRIPTION	W/WO REG.	W/WO RECT.	ALSO APPLICABLE TO
00046878	00008588	4871JB	12V/270 AMP	WITH	WITH	
00046880	08314056	110-450	12V/160 AMP	WITH	WITH	THOMAS, FREIGHT-LINER
00046881	00019435	110-580	12V/160 AMP	WITH	WITH	
00046882	01144203	2801LC	12V/160 AMP	WITH	WITH	
00046883	01706027	2671LC	12V/130 AMP	WITH	WITH	
00046868	01816073	4861JB	12V/200 AMP	WITH	WITH	NAVISTAR, AMTRAN
00046865	01856335	4850AA	12V/200 AMP	W/OUT	W/OUT	NAVISTAR, AMTRAN
00046866	01861426	4852AA	12V/240 AMP	W/OUT	W/OUT	NAVISTAR, AMTRAN
00046874	01944297	9800LC	12V/160 AMP	WITH	WITH	NAVISTAR, AMTRAN
00046884	01972686	9804LC	12V/160 AMP	WITH	WITH	THOMAS, FREIGHT-LINER



THOMAS/FREIGHTLINER LEECE NEVILLE REMAN AND NEW ALTERNATORS

BLUE BIRD REMAN NUMBER	BLUE BIRD NEW NUMBER	LEECE-NEVILLE SERVICE NUMBER	DESCRIPTION	W/WO REG.	W/WO RECT.	ALSO APPLICABLE TO
00046864	00048139	2800LC	12V/160 AMP	WITH	WITH	NAVISTAR, AMTRAN
00046884	01972686	9804LC	12V/160 AMP	WITH	WITH	BLUE BIRD
00046870	00048143	4864JB	12V/270 AMP	WITH	WITH	NAVISTAR, AMTRAN
00046867	00048142	4860JB	12V/200 AMP	WITH	WITH	NAVISTAR, AMTRAN
00046880	08314056	110-450	12V/160 AMP	WITH	WITH	BLUE BIRD

NAVISTAR/AMTRAN REMAN AND NEW ALTERNATORS



BLUE BIRD REMAN NUMBER	BLUE BIRD NEW NUMBER	LEECE-NEVILLE SERVICE NUMBER	DESCRIPTION	W/WO REG.	W/WO RECT.	ALSO APPLICABLE TO
00046863	00048138	2670LC	12V/130 AMP	WITH	WITH	
00046864	00048139	2800LC	12V/160 AMP	WITH	WITH	BLUE BIRD, THOMAS, FREIGHTLINER
00046865	01856335	4850AA	12V/200 AMP	W/OUT	W/OUT	BLUE BIRD
00046866	01861426	4852AA	12V/240 AMP	W/OUT	W/OUT	BLUE BIRD
00046867	00048142	4860JB	12V/200 AMP	WITH	WITH	THOMAS, FREIGHTLINER
00046868	01816073	4861JB	12V/200 AMP	WITH	WITH	BLUE BIRD
00046869	00048141	4800JB	12V/160 AMP	WITH	WITH	
00046870	00048143	4864JB	12V/270 AMP	WITH	WITH	THOMAS, FREIGHTLINER
00046871	00048144	4870JB	12V/270 AMP	WITH	WITH	
00046872	00048145	4874JB	12V/270 AMP	WITH	WITH	
00046873	00048146	4884JB	12V/200 AMP	WITH	WITH	
00046874	01944297	9800LC	12V/160 AMP	WITH	WITH	BLUE BIRD
00046875	00048140	2805LC	12V/145 AMP	WITH	WITH	
00046877	00048147	9802LC	12V/160 AMP	WITH	WITH	

C
H
A
S
S
I
S

19

OPTIONS

BLUE BIRD REMAN NUMBER	BLUE BIRD NEW NUMBER	LEECE-NEVILLE SERVICE NUMBER	DESCRIPTION	ALSO APPLICABLE TO
NEW ONLY	01870088	1111CA	200A RECTIFIER	4850AA ALTERNATOR
NEW ONLY	01870112	1112CA	240A RECTIFIER	4852AA ALTERNATOR
NEW ONLY	01870096	5078R	200A/240A REG.	4850AA/4850AA ALTERNATOR
NEW ONLY	01870104	6014R	200A/240A RELAY	4850AA/4850AA ALTERNATOR

REMAN STARTERS



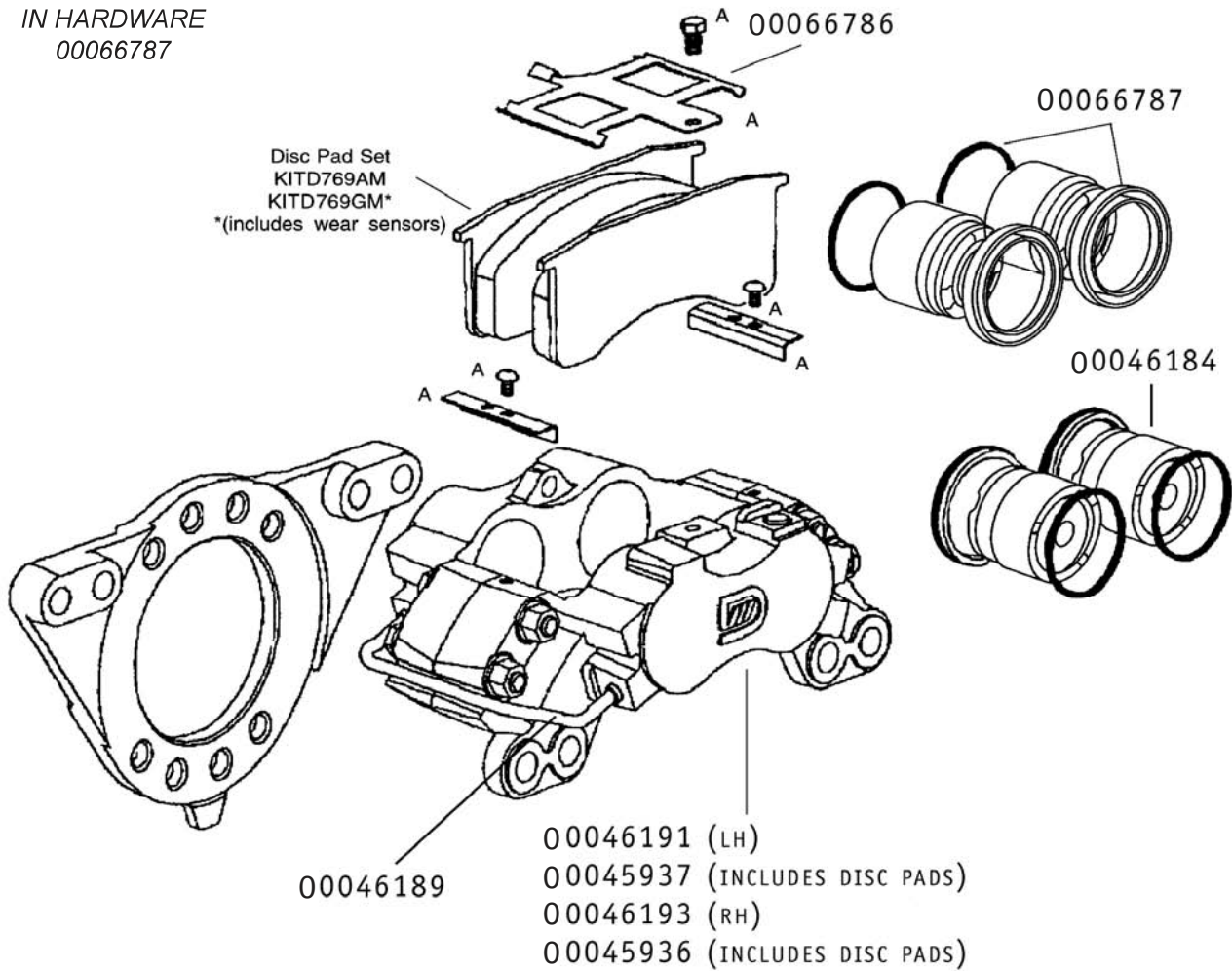
BLUE BIRD REMAN NUMBER	BLUE BIRD NEW NUMBER	OEM PART NUMBER	OEM	VOLTS	KW MODEL	PIN-ION DATA	ENGINE OEM
00046886	01967561	228000-7301	DENSO	12	3.0	13	CUMMINS 6BT, ISB
00046887	01935477	228000-5311	DENSO	12	3.0	10	CUMMINS 8.3, ISC
00046889	04312666	10461207/1993994	DELCO	12	5.0/37MT	10	CAT. 3116
00046890	01935485	228000-5851	DENSO	12	3.0	10	CAT. 3126
00046891	01483304	10479003/1990369	DELCO	12	7.5/42MT	12	CAT. 3208
00046892	01760057	228000-1953	DENSO	12	2.5	13	CUMMINS 6BT
00046893	01769512	228000-4671	DENSO	12	2.5	13	CUMMINS 6BT
00046894	01315480	128000-0540	DENSO	12	2.5/28MT	10	CUMMINS 6BT
00046895	01483312	10461414/1993795	DELCO	12	5.0/37MT	12	CUMMINS 8.3
00046898	01930163	228000-7491	DENSO	12	2.7	10	JOHN DEERE 6.8
00046899	01839281	228000-5461BK	DENSO	12	2.7	10	JOHN DEERE 8.2



QUADRAULIC DISC BRAKE

4 X 70 MM QUADRAULIC PHENOLIC PISTON

A - CONTAINED
IN HARDWARE
00066787



DISC PAD SET	KITD769AM	
DISC PAD SET	KITD769GM	INCLUDES WEAR SENSORS
	00066786	
	00066787	
	00046184	
	00046189	
	00046191	LH
	00045937	INCLUDES DISC PADS
	00046193	RH
	00045936	INCLUDES DISC PADS

00046188
• BLEEDER SCREW




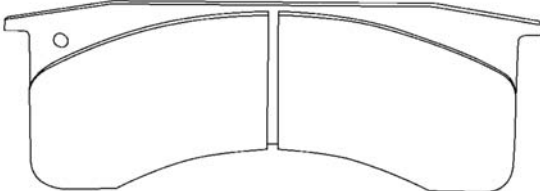


Applications:
• Blue Bird
• Thomas
• Freightliner

C
H
A
S
S
I
S

19

QUADRAULIC DISC BRAKE

ITEM	PART NO.	DESCRIPTION
<p>HARDWARE KIT <i>SERVICES ONE WHEEL</i></p> 	00066786	<p>INCLUDES: 1 ANTI-RATTLE SPRING 1 BOLT ANTI-RATTLE 2 LINING SPACER 2 LINING SPACER BOLT</p>
<p>BOOT AND SEAL KIT</p> 	00066787 <i>(70MM)</i>	4 BOOT 4 SEAL
<p>CALIPER PISTON</p> 	00046184 <i>(70MM) PHENOLIC</i>	1 PISTON 1 HEAT SHIELD
<p>OUTER AND INNER BRAKE PAD</p> 	00046182 00066148	<p>4 OEM EXTENDED LIFE MERITOR PAD KIT</p> <p>BENDIX PREMIUM SERIES PAD KIT</p> <p><i>(PAD KITS SERVICE ONE AXLE)</i></p>




See next page for Steel Piston Conversion Kit

QUADRAULIC DISC BRAKE

70 MM STEEL PISTON CONVERSION KIT

C
H
A
S
S
I
S

19

ITEM	PART NO.	DESCRIPTION
 <p>STEEL CALIPER PISTON CONVERSION KIT</p>	00066789 (70MM)	INCLUDES: 1 0046187 - HARDWARE KIT 1 0066788 - PISTON BOO AND SEAL KIT
 <p>BOOT AND SEAL KIT</p>	00066788 PISTON, BOOT AND SEAL KIT	INCLUDES: 4 BOOT 4 SEAL 4 BOOT SHIELD 4 PISTON
 <p>HARDWARE KIT</p>	00046187	INCLUDES: 1 ANTI-RATTLE SPRING 1 BOLT ANTI-RATTLE 2 LINING SPACER 2 LINING SPACER BOLT

00066790

- Piston
- Hydraulic
- Steel
- 70mm
- Quadraulic



00062970

- Turbine
- Brake
- 16.5"
- Rear axle
- 1 axle set



00062971

- Turbine
- Brake
- 16.5"
- 1.25" studs
- Steering axle
- 1 axle set

00062972

- Turbine
- Brake
- 16.5"
- Rear axle
- 10 axle set

00062973

- Turbine
- Brake
- 16.5"
- 1.25" studs
- Steering axle
- 10 axle set

LynnFin Truck Technologies



*Cleaner, cooler brakes stop better, stop quieter, and last longer!
increase the life span of school bus brakes by 25-75%!*

BENDIX BRAKE PADS



MK NO.	BLUE BIRD P/N PREMIUM	BLUE BIRD P/N HEAVY DUTY
MK225	00048199	00048198
MK224	00048197	00048196
MK236	00048201	00048200
MK184	00048195	00048194



*Call your local Blue Bird Distributor for
Webb brake drums for all bus applications.*

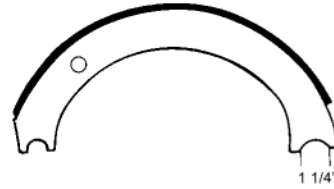
15" WEB BRAKE SHOES

SINGLE WEB



ROCKWELL/MERITOR 'Q' STYLE
(front) (original design)

FMSI	SIZE	LINING
A 3222-Q-1837	4"	1308T
<p><i>NOTE: Table is mislocated, 1308TT (tapered) lining only. Drum fouling may occur if lining is substituted.</i></p>		



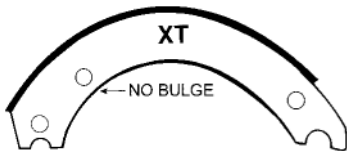
EATON
(front)

FMSI	SIZE	LINING
1308E/S648	4"	1308

C
H
A
S
S
I
S

19

DOUBLE WEB BRAKE SHOES



MERITOR 15" 'Q' PLUS
extended service shoes (double web)

FMSI	SIZE	LINING
4702XT	4"	4702
	5"	4703
	6"	4704
	7"	4705
	8"	4706
4710XT	8 5/8"	4710

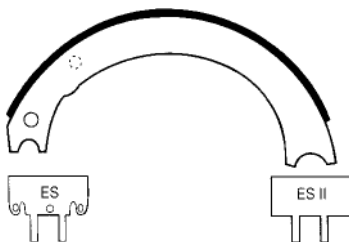
16 1/2" WEB BRAKE SHOES



Std. mount measures 4" at A.
High mount is 3 9/16".

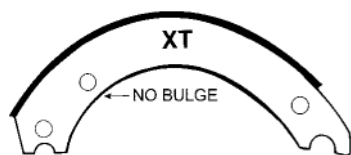
EATON
single anchor pin

FMSI	SIZE	LINING
---	4 1/2"	4570
4223A	5"	4223A
4223 HM	5"	4223A
4317	6"	4317G
4317 HM	6"	4317G
4311	7"	4311J/G
4311 HM	7"	4311J/G
4674	8 5/8"	4674



EATON
(Extended Service and ES II)

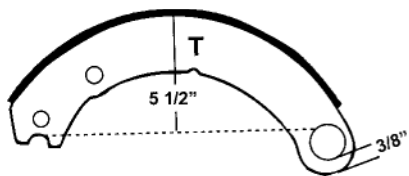
FMSI	SIZE	LINING
4719	5"	4719
4725	6"	4725
4709	7"	4709
4709N	7"	4709
4726	8 5/8"	4726



MERITOR
Q Plus Brake

FMSI	SIZE	LINING
4720SXT	5"	4720
	6"	4715
	6"	4715A
4707XT	7"	4707
4718XT	8"	4718
	8 5/8"	4711

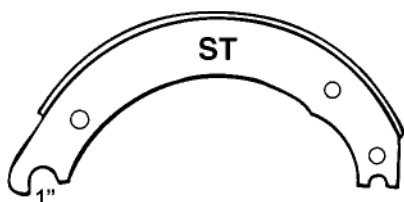
Requires extended life s-cam.
(Web stampings: Meritor is marked Q+. RHD
is marked XT.)



ROCKWELL 'P' STYLE

FMSI	SIZE	LINING
4549ET	4"	4549C
4524ET	5"	4524B
4514ET	6"	4514G
4515T	7"	4515
4515ET	7"	4515E/G
4644ET	8"	4644A
4644ETL*	8"	4644A
4644ETR*	8"	4644A
4551ET	8 5/8"	4551B
4552T	10"	4552
4514/49EST	10"	4514G/4549C

* offset webs



ROCKWELL / MERITOR "Q" STYLE
 (Equivalent to 'Q' Style)
 Features improved anchor slot design.

FMSI	SIZE	LINING
4549EST	4"	4549C
4524EST	5"	4524B
4514EST	6"	4514G
4515ST	7"	4515
4515EST	7"	4515E/G
4644EST	8"	4644A
4644ESTL*	8"	4644A
4644ESTR*	8"	4644A
4551EST	8 5/8"	4551B
4552ST	10"	4552
14/49EST	10"	4514G/4549C

* offset webs

WHEELCOVERS

00033872

- Kit
- Wheelcover
- Stainless steel
- 22.5 inches



01933209

- Kit
- Wheelcover
- Stainless steel
- 19.5 inches

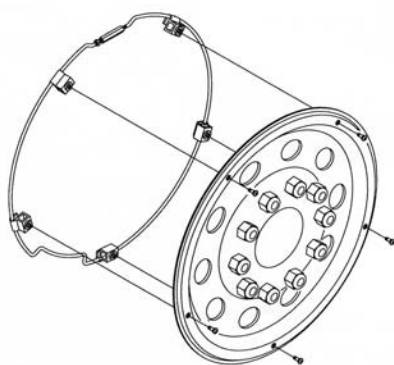


03982899

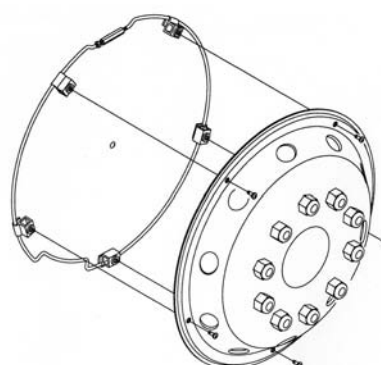
- Replacement emblem
- Blue Bird logo

Each kit contains:

- 2 - front wheelcovers
- 2 - rear wheelcovers
- 4 - cold rolled steel adjustable retention rings



Rear



Front

BUS STAINLESS STEEL WHEEL LINERS

01884626

- Kit
- Wheel liners
- Stainless steel
- 8.25 and 7.5 inches
- Hub piloted wheels
- 22.5 diameter



01933225

- Kit
- Wheel liners
- Stainless steel
- 6.75 inches
- 8-stud-275mm
- Hub piloted wheels
- 8.25 and 7.5 inches 19.5 diameter

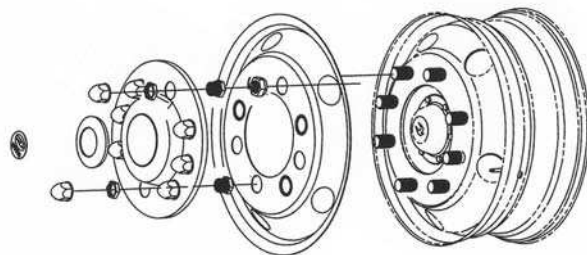


03982899

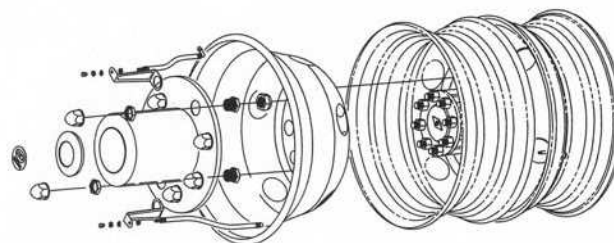
- Replacement emblem
- Blue Bird logo

Each kit contains:

- 2 - front wheel liners
- 2 - rear wheel liners
- 2 - rear valve stem extenders
- All necessary mounting hardware



Front



Rear

VAN CUTAWAY STAINLESS STEEL WHEEL LINERS

00034525

- Kit
- Wheel liners
- Stainless steel
- 1992-Present Ford E-Series
- Dual rear wheel



00067039

- Kit
- Wheel liners
- Stainless steel
- 1992-Present Ford E-Series
- Single rear wheel



00067038

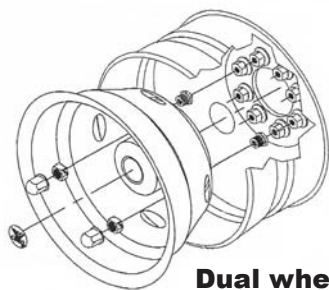
- Kit
- Wheel liners
- Stainless steel
- 2003-Present GM Van
- Single rear wheel

03982899

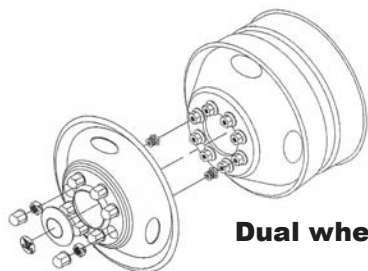
- Replacement emblem
- Blue Bird logo

Each kit contains:

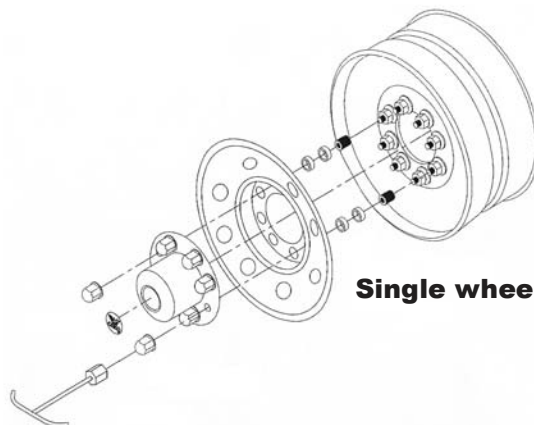
- 2 - front wheel liners
- 2 - rear wheel liners
- All necessary mounting hardware



Dual wheel rear



Dual wheel front



Single wheel

